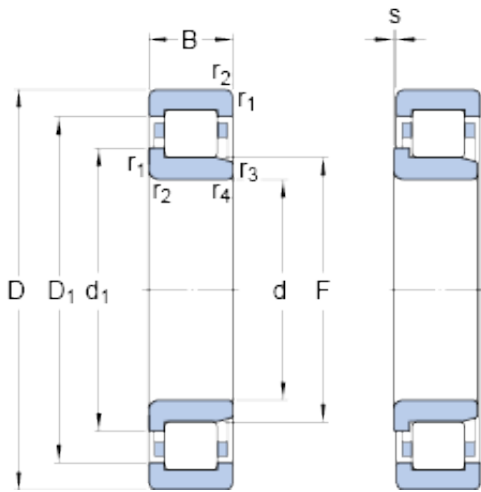




## Bearing Driveshaft do Brasil



70 mm x 125 mm x 31 mm SKF NJ 2214 ECP  
thrust ball bearings

Bearing No. NJ 2214 ECP

Size	125x70x31 mm
Bore Diameter	125 mm
Outer Diameter	70 mm
Width	31 mm
d	70 mm
D	125 mm
B	31 mm
d <sub>1</sub>	89.4 mm
D <sub>1</sub>	108.2 mm
F	83.5 mm
r <sub>1,2</sub> - min.	1.5 mm
r <sub>3,4</sub> - min.	1.5 mm
s	1.7 mm
d <sub>a</sub> - min.	79 mm
d <sub>a</sub> - max.	81 mm
d <sub>b</sub> - min.	92 mm
D <sub>a</sub> - max.	115.4 mm
r <sub>a</sub> - max.	1.5 mm
Basic dynamic load rating - C	180 kN
Basic static load rating - C <sub>0</sub>	193 kN
Fatigue load limit - P <sub>u</sub>	25.5 kN
Reference speed	6000 r/min
Limiting speed	6300 r/min
Calculation factor - k <sub>r</sub>	0.2

NJ 2214 ECP Bearing 2D drawings and 3D CAD models



## Bearing Driveshaft do Brasil

Category	Cylindrical Roller Bearings
Inventory	0.0
Manufacturer Name	SKF
Minimum Buy Quantity	N/A
Weight / Kilogram	1.578
EAN	7316577022974
Product Group	B04144
Bore Profile	Straight
Cage Material	Polymer
Precision Class	RBEC 1   ISO P0
Number of Rows of Rollers	Single Row
Separable	Inner Ring - One Side
Rolling Element	Cylindrical Roller Bearing
Profile	Complete with Outer and Inner Ring
Snap Ring	No
Internal Clearance	C0-Medium
Retainer	Yes
Relubricatable	Yes
Inch - Metric	Metric
Other Features	High Capacity   1 Rib Inner Ring   2 Rib Outer Ring   Cage on Outer Ring ID
Long Description	70MM Bore; Straight Bore Profile; 125MM Outside Diameter; 31MM Width; Polymer Cage Material; RBEC 1   ISO P0; Single Row; Inner Ring - One Side Separable; No Snap Ring; Relubricatable; C0-Medium Inte
Category	Cylindrical Roller Bearing
UNSPSC	31171547
Harmonized Tariff Code	8482.50.00.00
Noun	Bearing



## Bearing Driveshaft do Brasil

Manufacturer URL	<a href="http://www.skf.com">http://www.skf.com</a>
Manufacturer Item Number	NJ 2214 ECP
Weight / LBS	3.475
Outside Diameter	4.921 Inch   125 Millimeter
Width	1.22 Inch   31 Millimeter
Bore	2.756 Inch   70 Millimeter
bore diameter:	70 mm
precision rating:	RBEC 1 (ISO Class Normal)
outside diameter:	125 mm
maximum rpm:	6300 RPM
overall width:	31 mm
bearing material:	Steel
flanges:	(2) Outer Ring, (1) Inner Ring
cage material:	Polyamide
bore type:	Straight
finish/coating:	Uncoated
number of rows:	1
closure type:	Open
internal clearance:	C0
application:	Piston Type Machines, Rolling Mills, Spindles/Machine Tools
ring separation:	Separable Ring
outer ring width:	31 mm
operating temperature range:	Maximum of +300 ° F
fillet radius:	1.5 mm
dynamic load capacity:	180 kN
series:	NJ22
static load capacity:	193 kN
d <sub>1</sub>	89.4 mm
D <sub>1</sub>	108.2 mm



## Bearing Driveshaft do Brasil

$r_{1,2}$ min.	1.5 mm
$r_{3,4}$ min.	1.5 mm
s max.	1.7 mm
$d_a$ min.	79 mm
$d_a$ max.	81 mm
$d_b$ min.	92 mm
$D_a$ max.	115.4 mm
$r_a$ max.	1.5 mm
Basic dynamic load rating C	180 kN
Basic static load rating $C_0$	193 kN
Fatigue load limit $P_u$	25.5 kN
Calculation factor $k_r$	0.2
Limiting value e	0.3
Axial load factor Y	0.4
Mass bearing	1.51 kg