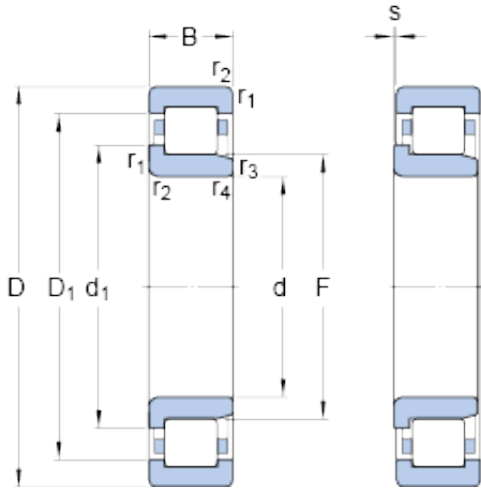




Bearing Driveshaft do Brasil



35 mm x 72 mm x 23 mm SKF NJ 2207 ECJ
thrust ball bearings

Bearing No. NJ 2207 ECJ

NJ 2207 ECJ Bearing 2D drawings and 3D CAD models

Size	72x35x23 mm
Bore Diameter	72 mm
Outer Diameter	35 mm
Width	23 mm
d	35 mm
D	72 mm
B	23 mm
d ₁	48.1 mm
D ₁	60.2 mm
F	44 mm
r _{1,2} - min.	1.1 mm
r _{3,4} - min.	1.1 mm
s	2.8 mm
d _a - min.	41.8 mm
d _a - max.	42.2 mm
d _b - min.	50 mm
D _a - max.	65.1 mm
r _a - max.	1 mm
Basic dynamic load rating - C	69.5 kN
Basic static load rating - C ₀	63 kN
Fatigue load limit - P _u	8.2 kN
Reference speed	11000 r/min
Limiting speed	12000 r/min
Calculation factor - k _r	0.2



Bearing Driveshaft do Brasil

Size	72x35x23 mm
Bore Diameter	72 mm
Outer Diameter	35 mm
Width	23 mm
d	35 mm
D	72 mm
B	23 mm
d ₁	48.1 mm
D ₁	60.2 mm
F	44 mm
r _{1,2} - min.	1.1 mm
r _{3,4} - min.	1.1 mm
s	2.8 mm
d _a - min.	41.8 mm
d _a - max.	42.2 mm
d _b - min.	50 mm
D _a - max.	65.1 mm
r _a - max.	1 mm
Basic dynamic load rating - C	69.5 kN
Basic static load rating - C ₀	63 kN
Fatigue load limit - P _u	8.2 kN
Reference speed	11000 r/min
Limiting speed	12000 r/min
Calculation factor - k _r	0.2
Category	Cylindrical Roller Bearings
Inventory	0.0
Manufacturer Name	SKF
Minimum Buy Quantity	N/A
Weight / Kilogram	0.439
EAN	7316570335101
Product Group	B04144



Bearing Driveshaft do Brasil

Bore Profile	Straight
Cage Material	Steel
Precision Class	RBEC 1 ISO P0
Number of Rows of Rollers	Single Row
Separable	Inner Ring - One Side
Rolling Element	Cylindrical Roller Bearing
Profile	Complete with Outer and Inner Ring
Snap Ring	No
Internal Clearance	C0-Medium
Retainer	Yes
Relubricatable	Yes
Inch - Metric	Metric
Other Features	High Capacity 1 Rib Inner Ring 2 Rib Outer Ring Cage on Outer Ring ID
Long Description	35MM Bore; Straight Bore Profile; 72MM Outside Diameter; 23MM Width; Steel Cage Material; RBEC 1 ISO P0; Single Row; Inner Ring - One Side Separable; No Snap Ring; Relubricatable; C0-Medium Internal
Category	Cylindrical Roller Bearing
UNSPSC	31171547
Harmonized Tariff Code	8482.50.00.00
Noun	Bearing
Manufacturer URL	http://www.skf.com
Manufacturer Item Number	NJ 2207 ECJ
Weight / LBS	0.966
Width	0.906 Inch 23 Millimeter
Bore	1.378 Inch 35 Millimeter
Outside Diameter	2.835 Inch 72 Millimeter
bore diameter:	35 mm



Bearing Driveshaft do Brasil

static load capacity:	63 kN
outside diameter:	72 mm
maximum rpm:	12000 rpm
overall width:	23 mm
bearing material:	Steel
flanges:	(1) Flange in Inner Ring, (2) Flanges on Outer Ring
cage material:	Pressed Steel
bore type:	Straight
finish/coating:	Uncoated
number of rows:	1
closure type:	Open
operating temperature range:	Maximum 302 ° F
series:	NJ
dynamic load capacity:	69.5 kN
manufacturer upc number:	7316570335101
d_1	48.1 mm
D_1	60.2 mm
$r_{1,2}$ min.	1.1 mm
$r_{3,4}$ min.	0.6 mm
s max.	2.8 mm
d_a min.	41.8 mm
d_a max.	42.2 mm
d_b min.	50 mm
D_a max.	65.1 mm
r_a max.	1 mm
Basic dynamic load rating C	69.5 kN
Basic static load rating C_0	63 kN
Fatigue load limit P_u	8.15 kN
Calculation factor k_r	0.2
Limiting value e	0.3
Axial load factor Y	0.4



Bearing Driveshaft do Brasil

Mass bearing	0.42 kg
--------------	---------