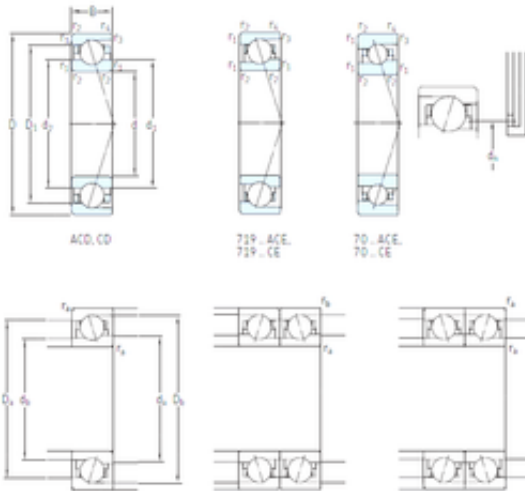




Bearing Driveshaft do Brasil



180 mm x 280 mm x 46 mm SKF 7036 CD/P4A angular contact ball bearings

Bearing No. 7036 CD/P4A

7036 CD/P4A Bearing 2D drawings and 3D CAD models

Size	180x280x46 mm
Bore Diameter	180 mm
Outer Diameter	280 mm
Width	46 mm
d	180 mm
D	280 mm
B	46 mm
C	46 mm
d1	211,8 mm
d2	211,8 mm
r1 min.	2,1 mm
r2 min.	2,1 mm
r3 min.	1,1 mm
r4 min.	1,1 mm
D1	248,2 mm
D2	– mm
da min.	191 mm
Da max.	269 mm
db min	191 mm
ra max.	2 mm
rb max.	1 mm
dh	219,7 mm
Db max	274 mm
Weight	9,1 Kg
Basic dynamic load rating (C)	242 kN



Bearing Driveshaft do Brasil

Basic static load rating (C0)	290 kN
(Grease) Lubrication Speed	5 000 r/min
(Oil) Lubrication Speed	7 500 r/min
Fatigue load limit (Pu)	8,15
Category	Precision Ball Bearings
Inventory	0.0
Manufacturer Name	SKF
Minimum Buy Quantity	N/A
Weight / Kilogram	9.85
Product Group	B04270
Enclosure	Open
Precision Class	ABEC 7 ISO P4
Material - Ball	Steel
Number of Bearings	1 (Single)
Contact Angle	15 Degree
Preload	None
Raceway Style	1 Rib Outer Ring
Cage Material	Phenolic
Rolling Element	Ball Bearing
Flush Ground	No
Inch - Metric	Metric
Other Features	Single Row Angular Contact High Precision
Long Description	180MM Bore; 280MM Outside Diameter; 46MM Width; Open Enclosure; ABEC 7 ISO P4 Precision; Steel Ball Material; 1 (Single) Bearings; 15 Degree Contact Angle; Phenolic Cage Material; 1 Rib Outer Ring R
Category	Precision Ball Bearings
UNSPSC	31171531
Harmonized Tariff Code	8482.10.50.28



Bearing Driveshaft do Brasil

Noun	Bearing
Keyword String	Angular Contact Ball
Manufacturer URL	http://www.skf.com
Manufacturer Item Number	7036 CD/P4A
Weight / LBS	21.694
Bore	7.087 Inch 180 Millimeter
Width	1.811 Inch 46 Millimeter
Outside Diameter	11.024 Inch 280 Millimeter
d_1	211.8 mm
d_2	211.8 mm
D_1	248.2 mm
$r_{1,2}$ min.	2.1 mm
$r_{3,4}$ min.	1.1 mm
a	54 mm
d_a min.	191 mm
d_b min.	191 mm
D_a max.	269 mm
D_b max.	274 mm
r_a max.	2 mm
r_b max.	1 mm
d_n	219.7 mm
Basic dynamic load rating C	242 kN
Basic static load rating C_0	290 kN
Fatigue load limit P_u	8.15 kN
Attainable speed for grease lubrication	5000 r/min
Attainable speed for oil-air lubrication	7500 r/min
Ball diameter D_w	30.162 mm
Number of balls z	21
Reference grease quantity G_{ref}	111 cm ³
Preload class A G_A	900 N



Bearing Driveshaft do Brasil

Static axial stiffness, preload class A	186 N/ μ m
Preload class B G_B	1800 N
Static axial stiffness, preload class B	251 N/ μ m
Preload class C G_C	3600 N
Static axial stiffness, preload class C	349 N/ μ m
Preload class D G_D	7200 N
Static axial stiffness, preload class D	501 N/ μ m
Calculation factor f	1.13
Calculation factor f_1	1
Calculation factor f_{2A}	1
Calculation factor f_{2B}	1.02
Calculation factor f_{2C}	1.05
Calculation factor f_{2D}	1.09
Calculation factor f_{HC}	1
Calculation factor f_0	15.7
Mass bearing	9.11 kg