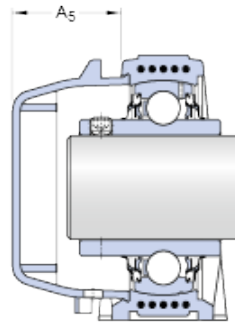
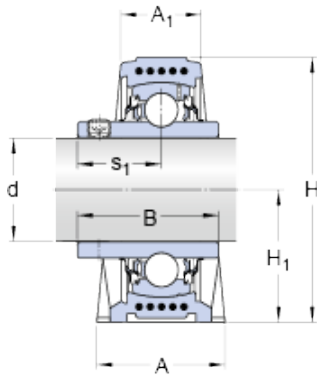




## Bearing Driveshaft do Brasil



### SKF SYWK 25 YTA bearing units

Bearing No. SYWK 25 YTA

Size	25x32x22 mm
Bore Diameter	25 mm
Outer Diameter	32 mm
Width	22 mm
d	25 mm
A	32 mm
A <sub>1</sub>	22 mm
A <sub>5</sub>	26.3 mm
B	34.1 mm
H	70.5 mm
H <sub>1</sub>	36.5 mm
H <sub>2</sub>	16 mm
J	105 mm
J - max.	110 mm
J - min.	100 mm
L	134 mm
H	17.5 mm
N <sub>1</sub>	12.5 mm
s <sub>1</sub>	19.8 mm
Basic dynamic load rating - C	14 kN
Basic static load rating - C <sub>0</sub>	7.8 kN
Fatigue load limit - P <sub>u</sub>	0.335 kN
Limiting speed	4300 r/min
Weight	0.33 kg

SYWK 25 YTA Bearing 2D drawings and 3D CAD models



## Bearing Driveshaft do Brasil

Hexagonal key size for grub screw - H	3 mm
Category	Bearings
Inventory	0.0
Manufacturer Name	SKF
Minimum Buy Quantity	N/A
Weight / Kilogram	0
Product Group	M06110
Housing material	Composite for food and beverage
A <sub>1</sub>	22 mm
A <sub>5</sub>	26.3 mm
B <sub>4</sub>	5 mm
H <sub>1</sub>	36.5 mm
H <sub>2</sub>	16 mm
J max.	110 mm
J min.	100 mm
N	17.5 mm
N <sub>1</sub>	12.5 mm
s <sub>1</sub>	19.8 mm
Basic dynamic load rating C	14 kN
Basic static load rating C <sub>0</sub>	7.8 kN
Fatigue load limit P <sub>u</sub>	0.335 kN
Mass bearing unit	0.33 kg
Thread grub screw G <sub>2</sub>	M6x0.75
Hexagonal key size for grub screw N	3 mm
Recommended tightening torque for grub screw	4 N · m
Recommended diameter for attachment bolts, mm G	10 mm
Recommended diameter for attachment bolts, inch G	0.375 in
Housing	SYWK 505 Y



## Bearing Driveshaft do Brasil

Bearing	YAR 205-2RF/VE495
End cover	ECW 205